

4

3



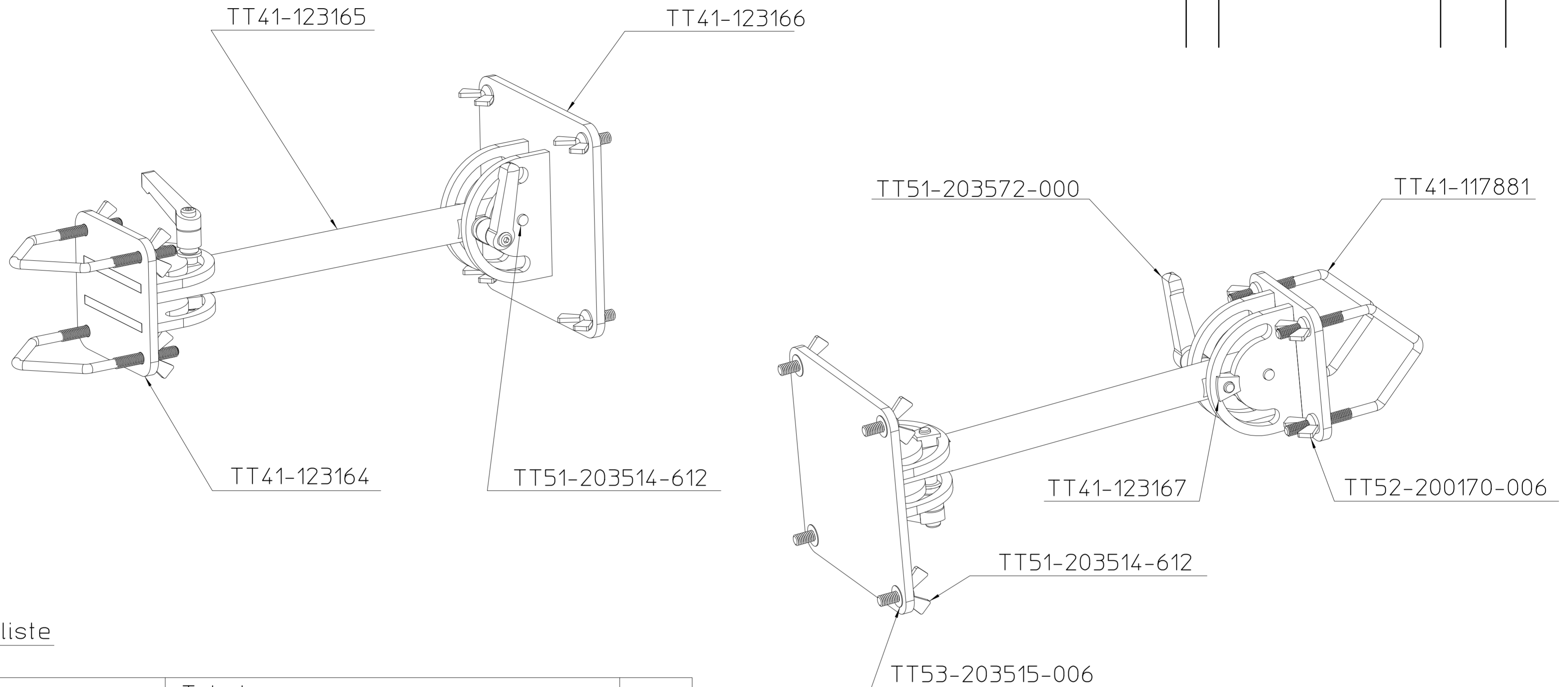
2

1

REVISIONS			
LTR	DESCRIPTION	DATE	APPROVAL
A	Original		

D

D



C

C



B

B

Stykliste

Varenummer	Tekst	Antal
TT41-123164	Part no. 1	1
TT41-123165	Part no. 2	1
TT41-123166	Part no. 3	1
TT41-117881	Spidsbøjle 1"/1.5"	2
TT51-203514-612	Vingeskrue M6x12 A2 BN2725	4
TT51-203573-626	Spændstifter med slids 6x26 BN337	2
TT51-203572-000	Spændgreb MRX. 40 S-p-M6x30-INOX	2
TT52-200170-006	Vingemøtrik M6 A4 BN10767	4
TT53-203515-006	Låseskive M6 BN31305	4
TT41-123167	Nut special TT3720A	2
TT41-123168	Washer special TT3720A	2

A

A

Emnerne leveres samlet som vist på tegning, lagt i plasticpose med Part no: 403650A-920 påtrykt.

Thrane & Thrane Part no: 403650A-920

TT-3720A	UNLESS OTHERWISE SPECIFIED DIMENSIONS ARE IN MILLIMETRES AND TOLERANCES ARE IN ACCORDANCE WITH DS/ISO 2768-1 F	DR. Jesper Sundberg 060406	Thrane & Thrane Telecommunications Engineering Copenhagen Denmark	
	ANGLES LIN. DIM.	CH. K. Blomgren 060406	TITLE Polemount TT-3650A-920	
	MATERIAL	AP. Jesper Sundberg 060526	SIZE A2	CODE IDENT NO. TT97-123520
NEXT ASSY USED ON APPLICATION	Se stykliste	FIRST ANGLE PROJECTION	SCALE: None	DRAWING NO. TT97-123520 SHEET 1 OF 1

4

3



2

1